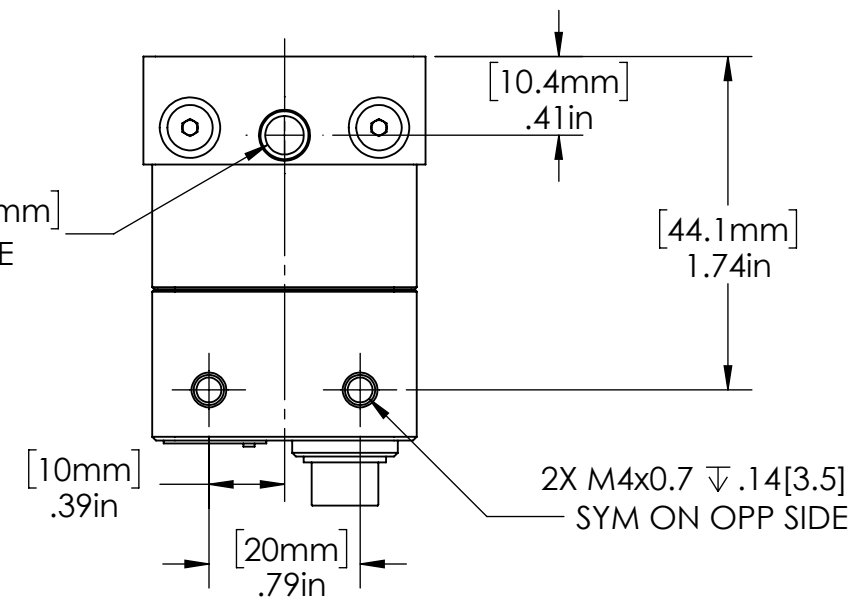



1/4-20 UNC ▽.50in [12.7mm]
SYM ON OPPOSITE SIDE



FOR INFORMATION ONLY NOT FOR MANUFACTURING	DATE:	DRWN BY:	CHK'D:	TOLERANCES: (EXCEPT AS NOTED) X.XXX = ± 0.005 X.XX = ± 0.01 X X/X = ± 1/64 ANGULAR = ± 0.5°	No.	REVISIONS	DATE	APPD		37 IRONIA ROAD FLANDERS NJ 07836 (973) 598-1150 Fax: (973) 598-1151
	12/7/2016	SG	GJH							
HAAS DOC.# BA-CAM-200-1100-R3-SALES										
SPECIFICATION SUBJECT TO CHANGE WITHOUT NOTICE CONTACT HAAS LTI FOR MORE INFORMATION										BA-CAM-200-1100-R3 BOM# SCALE: