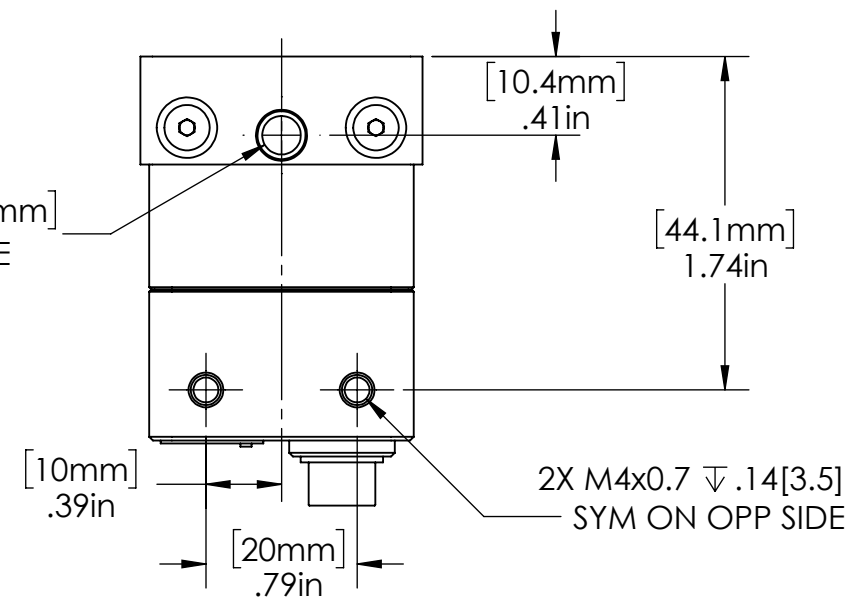



1/4-20 UNC ▽.50in [12.7mm]  
SYM ON OPPOSITE SIDE



FOR INFORMATION ONLY NOT FOR MANUFACTURING	DATE: 12/7/2016	DRWN BY: SG	CHK'D: GJH	<b>TOLERANCES: (EXCEPT AS NOTED)</b> <b>X.XXX = ± 0.005</b> <b>X.XX = ± 0.01</b> <b>X X/X = ± 1/64</b> <b>ANGULAR = ± 0.5°</b>	No.	REVISIONS	DATE	APPD	 <b>37 IRONIA ROAD FLANDERS NJ 07836 (973) 598-1150 Fax: (973) 598-1151</b>	
HAAS DOC# BA-CAM-CO2-R2-SALES										
SPECIFICATION SUBJECT TO CHANGE WITHOUT NOTICE CONTACT HAAS LTI FOR MORE INFORMATION										
								BA-CAM-CO2-R2	BOM#	
									SCALE:	