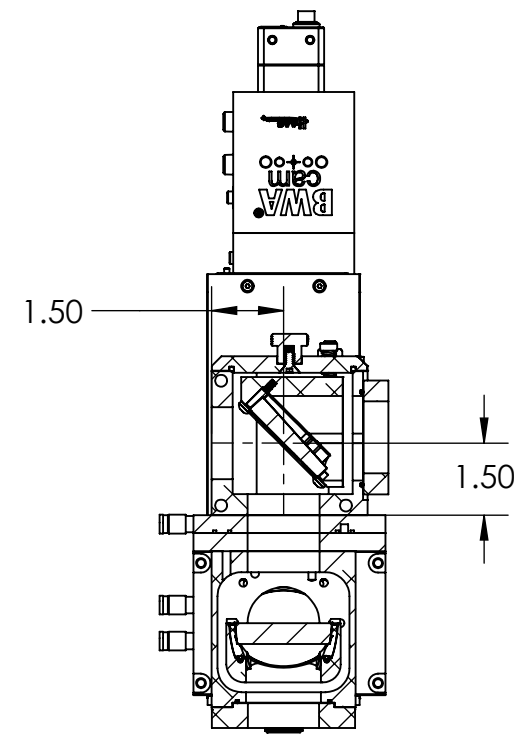
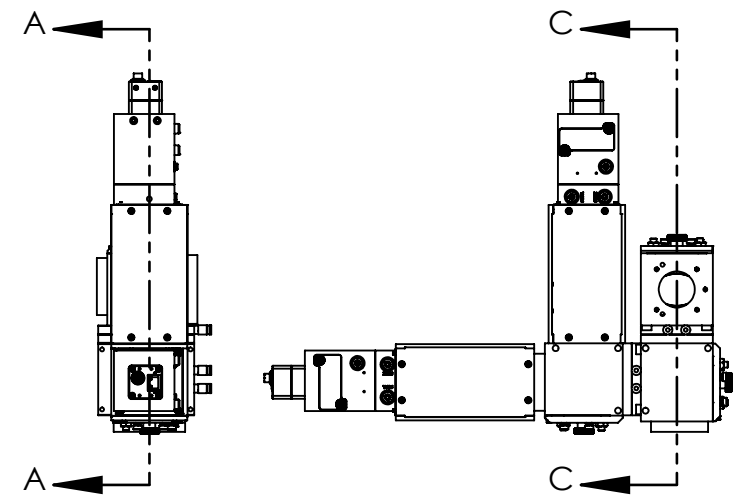



SECTION A-A
SCALE 1 : 4



SECTION C-C
SCALE 1 : 4



QUANTITY REQUIRED: MATERIAL: 6061 FINISH: BLACK ANODIZE	DATE: 5/11/2016	DRWN BY: XX	CHK'D: GJH	TOLERANCES: (EXCEPT AS NOTED) <i>X.XXX = ± 0.005</i> <i>X.XX = ± 0.01</i> <i>X.X/X = ± 1/64</i> ANGULAR = ± 0.5°	No.	REVISIONS	DATE	APPD		37 IRONIA ROAD FLANDERS NJ 07836 (973) 598-1150 Fax: (973) 598-1151
HAAS PT# BWA-MON-50DW-R-2W-700-1100_Emaksan										
BWA-MON-50DW-R-2W-700-1100_Emaksan										BWA-MON-50DW-R-2W-700-1100_Emaksan BOM# SCALE: