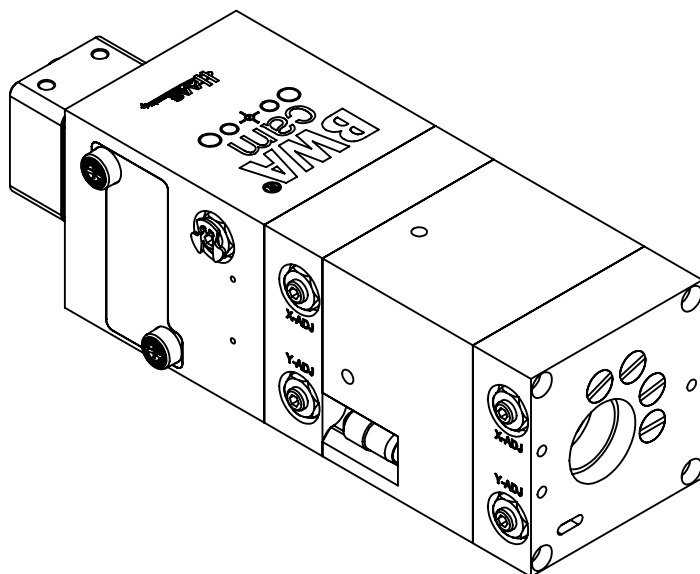


Optical Path Length		
λ (nm)	SiO ₂ /mm	BK7/mm
1064	0.310	0.323
532	0.315	0.336
355	0.323	0.342
940	0.311	0.337



FOR INFORMATION ONLY NOT FOR MANUFACTURING	DATE: 12/8/2016	DRAWN BY: SG	CHK'D BY: GJH	TOLERANCES: (EXCEPT AS NOTED)	NO.	REVISIONS	DATE	APPD
HAAS DOC.# BWA-ZR3-325-425-SALES				X.XXX= ± 0.005				
				X.XX= ± 0.01				
				X X/X= ± 1/64				
				ANGULAR: ± 0.5°				
SPECIFICATIONS SUBJECT TO CHANGE WITHOUT NOTICE. CONTACT HAAS LTI FOR MORE INFORMATION								



37 IRONIA ROAD
FLANDERS NJ 07836
(973) 598-1150
Fax: 598-1151

BWA-CAM-325-425 WITH BWA-ZR3
CMOS SENSOR

BOM#

SCALE: 1:2