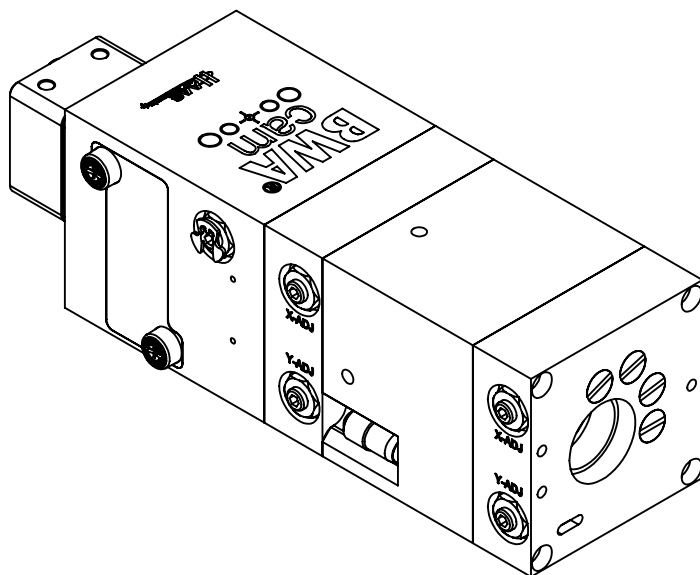


Optical Path Length		
$\lambda$ (nm)	SiO <sub>2</sub> /mm	BK7/mm
1064	0.310	0.323
532	0.315	0.336
355	0.323	0.342
940	0.311	0.337



FOR INFORMATION ONLY NOT FOR MANUFACTURING	DATE: 12/8/2016	DRAWN BY: SG	CHK'D BY: GJH	TOLERANCES: (EXCEPT AS NOTED)	NO.	REVISIONS	DATE	APPD
	HAAS DOC.# BWA-ZR3-700-1000-SALES				X.XXX = ± 0.005			
SPECIFICATIONS SUBJECT TO CHANGE WITHOUT NOTICE. CONTACT HAAS LTI FOR MORE INFORMATION				X.XX = ± 0.01				
				X.X/X = ± 1/64				
				ANGULAR: ± 0.5°				



37 IRONIA ROAD  
FLANDERS NJ 07836  
(973) 598-1150  
Fax: 598-1151

BWA-CAM-700-1000 WITH BWA-ZR3  
CMOS SENSOR

BOM#

SCALE: 1:2