

Modular

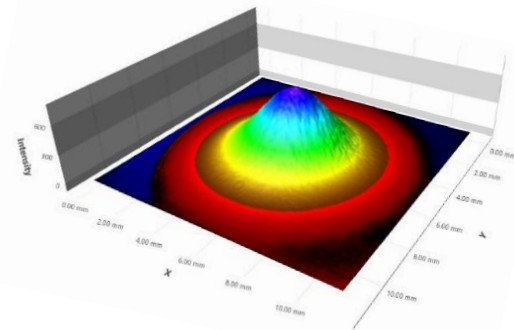
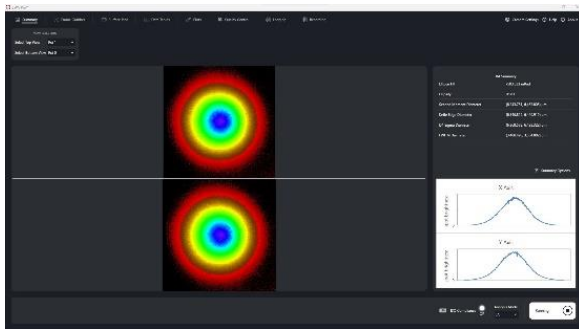
BA-CAM®

BA-CAM-MOD

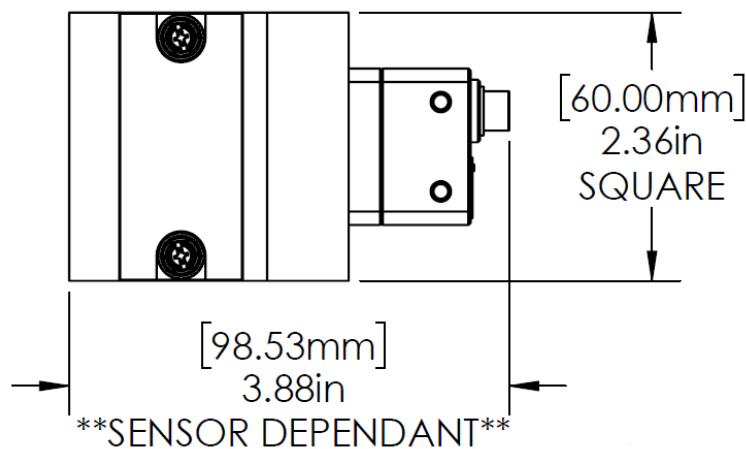
The BA-CAM **MOD**ular is designed to be adaptable to Haas LTI's beam delivery products. The MOD version of our BA-CAM includes an ND filter cartridge that utilizes magnetically mounted neutral density filters for easier fine tuning of the necessary attenuation.

Measurements from the ultraviolet (UV), visible, near infrared (NIR), short wavelength infrared (SWIR) and long wavelength infrared (LWIR) can utilize this technology by just changing the sensor and attenuation optics.

The BA-CAM-MOD can accommodate laser powers from microwatts to 10's of milliwatts; depending upon beam size and wavelength.



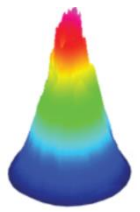
Product Dimensions



Visit our website at www.HAASLTI.com for additional information and product videos

Haas Laser Technologies, Inc | 37 Ironia Road, Flanders, New Jersey 07836 | USA

Ph: (973) 598-1150 | info@haaslti.com



High Power

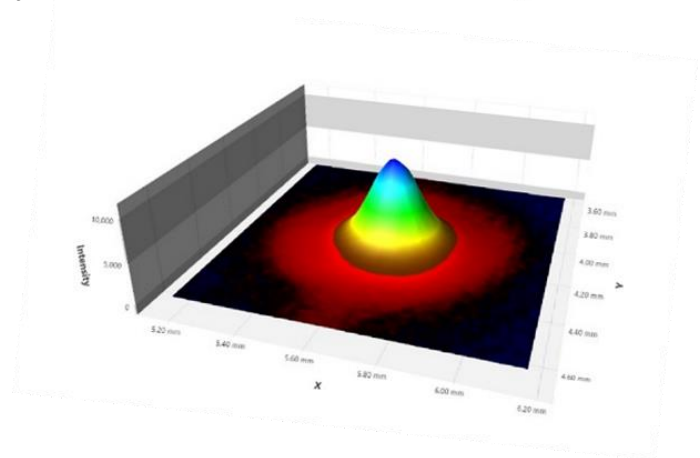
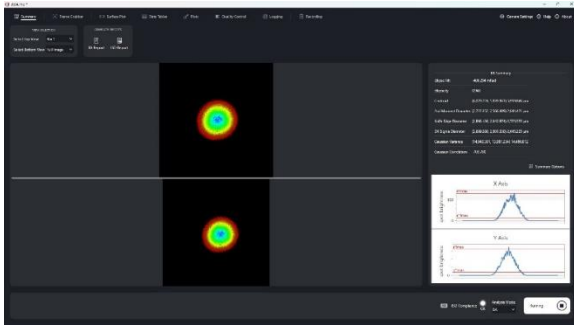
BA-CAM®

BA-CAM-HP

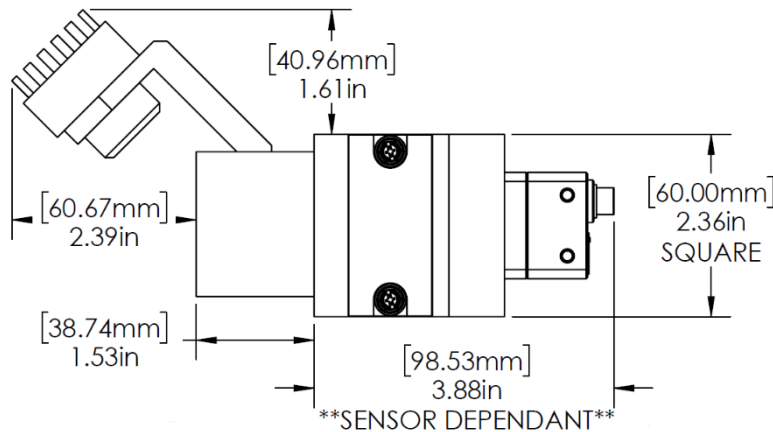
The BA-CAM High Power is a modular design and can be configured for most applications and laser wavelengths. The HP design incorporates a patent pending attenuator added onto our BA-CAM-MOD to allow for powers up to 500 watts at 1 micron.

Measurements from the ultraviolet (UV), visible, near infrared (NIR), short wavelength infrared (SWIR) and long wavelength infrared (LWIR) can utilize this technology by just changing the sensor and attenuation optics.

With no additional attenuation, the BA-CAM-HP can accommodate laser powers from 10 watts to 500 watts; depending upon beam size and wavelength.



Product Dimensions



Visit our website at www.HAASLTI.com for additional information and product videos